

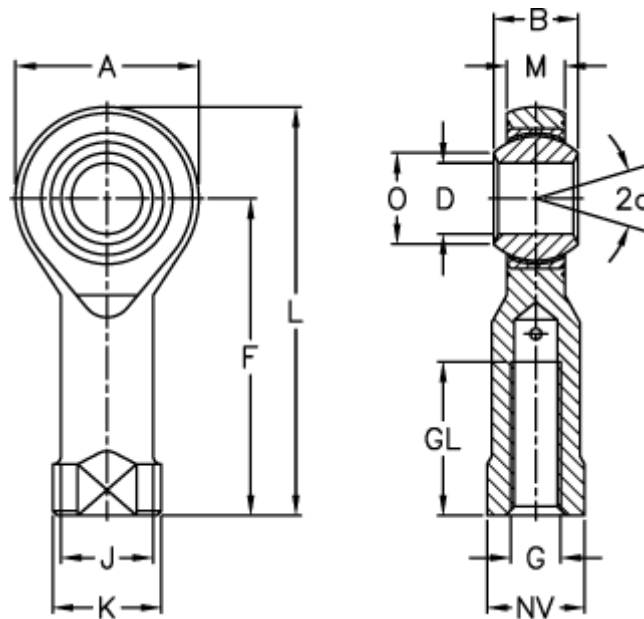
Data Sheet



Article number: 03009040

Description: Fluro Rod End GISW 40
Zinc Plated

Measures



| | | | | |
|---------------------|---------|---------------------|--------|-------------------|
| A | = 90 | J | = 57 | Weight (g) = 2770 |
| a (degrees) | = 16 | K | = 69 | |
| B | = 49 | L | = 187 | |
| D | = 40 | M | = 35 | |
| Dynamic load C (kN) | = 286 | NV | = 60 | |
| F | = 142 | O | = 44.2 | |
| G | = M42x2 | Permissible rpm | = 100 | |
| GL | = 60 | Static load C0 (kN) | = 124 | |